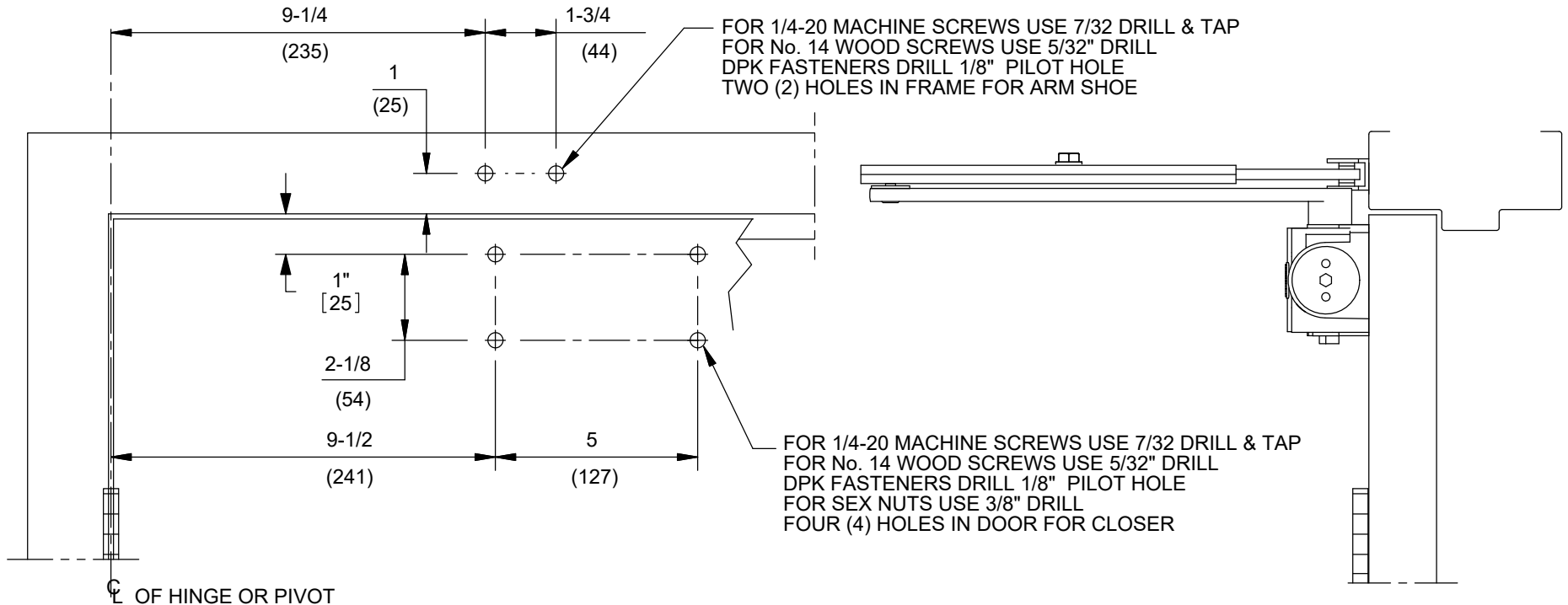


NOTES:

1. DO NOT SCALE DRAWING.
2. RIGHT HAND DOOR SHOWN.
3. DIMENSIONS ARE IN INCHES/(MM).
4. CAUTION: SEX NUTS ARE REQUIRED FOR ATTACHMENT OF COMPONENTS TO UNREINFORCED DOORS AND TO WOOD OR PLASTIC FACED COMPOSITE TYPE FIRE DOORS, UNLESS AN ALTERNATIVE METHOD IS IDENTIFIED IN THE INDIVIDUAL DOOR MANUFACTURER'S LISTINGS.
5. MAXIMUM OPENING 180°. (ALLOW CLEARANCE FOR CLOSER COVER)
6. SEE CATALOG FOR HOLD OPEN RANGE.
7. **OPTIONAL DPK FASTENERS (DPK89) FOR STEEL DOOR & FRAME ONLY.**



DOOR CLOSER MODELS: 8916, 8956 AF89, PH
 REGULAR INSTALLATION (PULL SIDE MOUNT)